



## Main Features:-

- ◆ Wafer Check Valve
- ◆ DN50 to DN300 PN25
- ◆ Installed in vertical, horizontal or inclined position
- ◆ Working Temperature -20 to +180C \*

\*Temperature and pressure determined by valve body, seat etc.

## Suitable Applications & Approvals:



HVAC



OIL



GAS



INDUSTRY

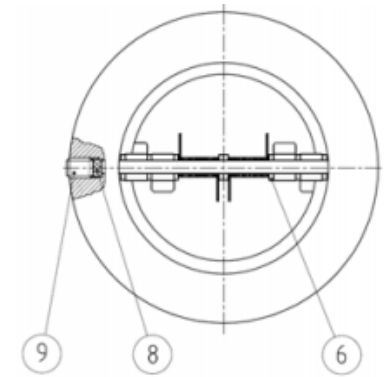


## SERIES: 80206

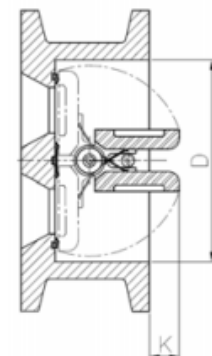
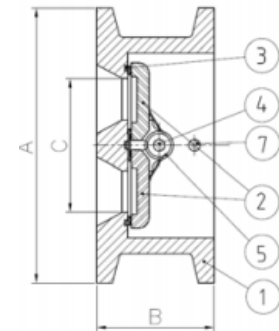
MANUFACTURER: **GENEBRE**

VALVE MATERIALS & DIMENSIONS

ITEM	SECTION	MATERIAL	ADDITIONAL INFO / OPTIONS
1	Body	SS 1.4408	n/a
2	Disk	SS 1.4408	n/a
3	Seat	FKM	n/a
4	Axle	AISI 316	n/a
5	Spring	AISI 316	Spare Part Code: K2401
6	Washer	PTFE	Spare Part Code: K2401
7	Disk Stopper	AISI 316	n/a
8	Plug	FKM	Spare Part Code: K2401
9	Grub Screw	AISI 316	Spare Part Code: K2401



REF	SIZE	DN	PN	A	B	C	D	K	Kg
80206-09	2"	50	25	101	54	48	66	5	1.3
80206-10	2 1/2"	65	25	119	54	59	80	11	1.8
80206-11	3"	80	25	133	57	72	95	11	2.4
80206-12	4"	100	25	164	64	90	117	24	3.9
80206-13	5"	125	25	194	70	110	145	34	6.3
80206-14	6"	150	25	220	76	135	170	43	8.1
80206-16	8"	200	25	275	95	175	224	67	15.55
80206-18	10"	250	25	337	108	215	255	80	21.3
80206-20	12"	300	25	400	143	254	302	96	34



T +44 (0)1386 552369

E sales@allvalves.co.uk

W www.allvalves.co.uk

F +44 (0)1386 554227



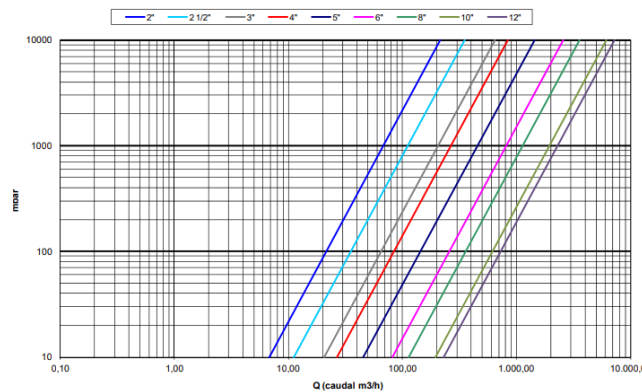


Genebre are a global brand of industrial valves with large stocks held for fast delivery on various type of valves, sizes, end connections and materials.

## SERIES: 80206

TORQUE / Kv VALUES / PRESSURE & TEMP CHART

REF	SIZE	Kv
80206-09	2"	68
80206-10	2 1/2"	111
80206-11	3"	206
80206-12	4"	266
80206-13	5"	455
80206-14	6"	813
80206-16	8"	1132
80206-18	10"	1950
80206-20	12"	2300



### KV VALUES:

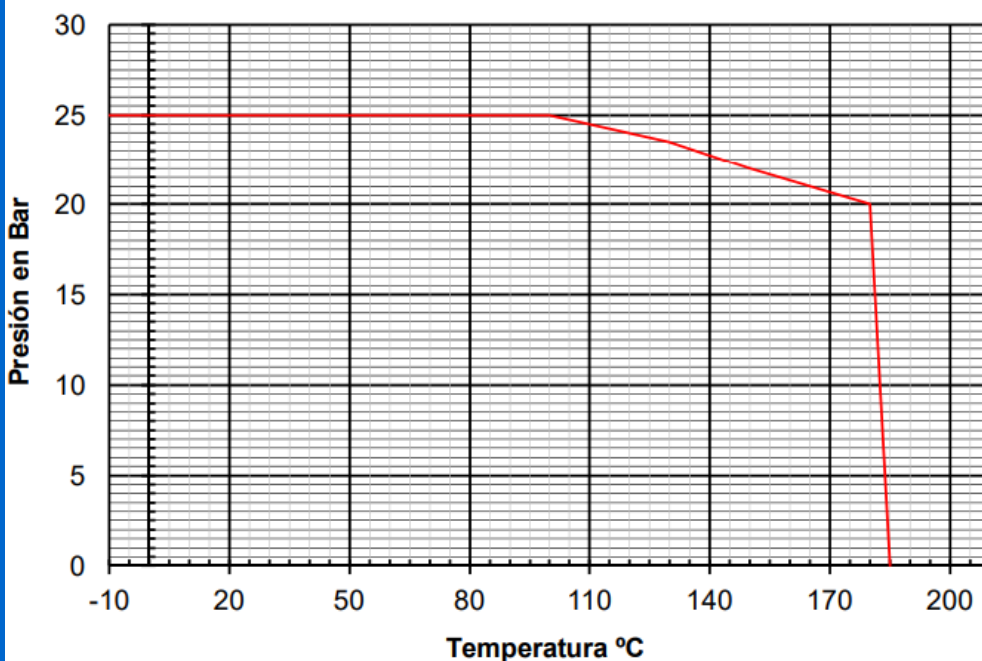
- The Kv values (M3 per hour) is the flow of water at a temperature of 5C to 30C (41F to 86F) at p of 1 bar

- For further information, please email [sales@allvalves.co.uk](mailto:sales@allvalves.co.uk)

### FLOW Appli. Pres. DN50 DN65 DN80 DN100 DN125 DN150 DN200 DN250

↑	Std.	Mbar	62.5	63.5	58	61	56	51.5	63	68
↓	Std.	Mbar	37.5	31	28	32	18	17	22	21
↕	Std.	Mbar	50	49	45	48	38.5	35.5	43	45
↑	Without Spring	mbar	12.5	17	16	15	21	19	21	25

### PRESSURE AND TEMPERATURE CHART



### More Info?

For more information visit our website [www.allvalves.co.uk](http://www.allvalves.co.uk) or drop us an email at [sales@allvalves.co.uk](mailto:sales@allvalves.co.uk) or call us on 01386552369.

AllValves Online™ have used decades of experience in the valve industry to select a range of products that match the Allvalves Online ethos - value for money. All Valves Products are from reputable sources and have been sold in significant quantities for many years, are installed in a wide variety of applications, and are known to be durable in service.



**T** +44 (0)1386 552369

**E** [sales@allvalves.co.uk](mailto:sales@allvalves.co.uk)

**W** [www.allvalves.co.uk](http://www.allvalves.co.uk)

**F** +44 (0)1386 554227